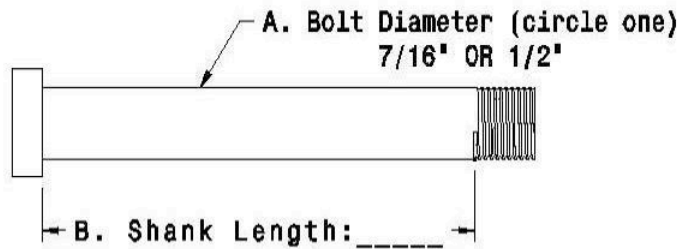




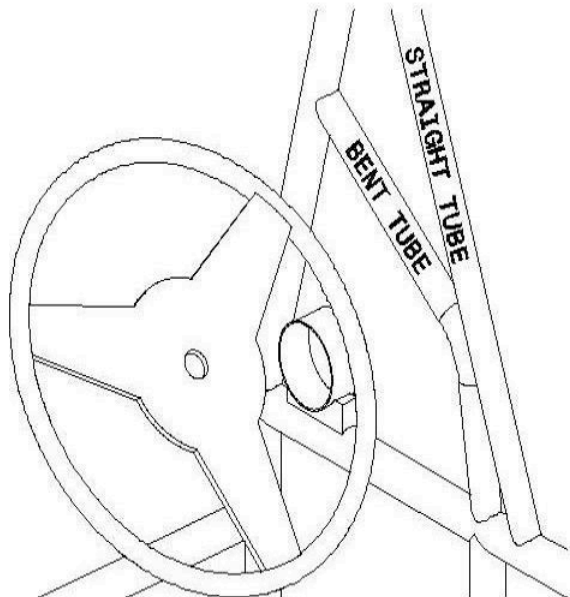
ph. 317 486 9710 fax: 317 486 9160

**TORSION ARM BOLT**



**CONTROL MOUNT TUBE (circle one)**

- C. Straight OR Bent Tube?
- D. Tube Diameter: 1" 1.125" 1.25" 1.375"
- E. The control will be on the (left) / (right) side of the cockpit



Customer Name: \_\_\_\_\_  
 Shipping Address: \_\_\_\_\_  
 \_\_\_\_\_  
 \_\_\_\_\_  
 Date: \_\_\_\_\_  
 Phone Number: \_\_\_\_\_  
 Email: \_\_\_\_\_  
 Date Needed by: \_\_\_\_\_

Car Information:  
 Pavement / Dirt Engine Size: \_\_\_\_\_  
 Wing / Non Wing  
 Midget / Sprint / 600 / Other  
 If Other: \_\_\_\_\_  
 Chassis: \_\_\_\_\_  
 Bearing Carrier Mfg.: \_\_\_\_\_

